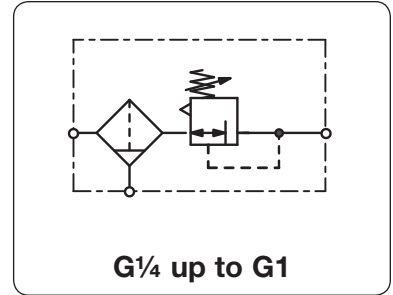


<b>Description</b>	Modular pressure filter regulator which can be interlocked with all other instruments of the same series.		
<b>Media</b>	compressed air or non-corrosive gases		
<b>Supply pressure</b>	max. 12,5 bar, max. 16 bar for Series 042		
<b>Adjustment</b>	by knob with snap-lock		
<b>Relieving function</b>	relieving		
<b>Gauge port</b>	G $\frac{1}{8}$ or G $\frac{1}{4}$ at series 095, on both sides of the body, screw plugs supplied		
<b>Filter element</b>	20 $\mu$ m, optionally 5 $\mu$ m, made of sintered polyethylene		
<b>Bowl</b>	plastic version with bayonet catch, threaded connection at series 042		
<b>Drainage</b>	manual drain with semiautomatic drain, optionally automatic drain		
<b>Temperature range</b>	0 °C to 50 °C / 32 °F to 122 °F		
<b>Material</b>	Body: nylon, POM at series 042	Inner valve: brass	
	Bowl: polyamide	Thread insert: brass	
	Elastomer: NBR/Buna-N		



Dimensions			Bowl		Flow rate	Supply max.	Connection thread	Order number
A	B	C	Design	Capacity				
mm	mm	mm	made of/with	l	m $^3$ /h*1	l/min*1	bar	G

Plastic filter regulator					manual drain with semiautomatic drain, relieving, max. 12,5/16 bar w/o gauge, pressure range 0...8 bar, 20 $\mu$ m filter element			B0	
42	207	126	plastic/	0.02	72	1200	16	G $\frac{1}{4}$	<b>B042-02HC</b>
52	239	148	bowl guard	0.04	120	2000	12.5	G $\frac{3}{8}$	<b>B050-03HC</b>
52	239	148		0.04	126	2100	12.5	G $\frac{1}{2}$	<b>B052-04HC</b>
63	276	173		0.10	168	2800	12.5	G $\frac{1}{2}$	<b>B075-04HC</b>
137	276	173		0.10	174	2900	12.5	G $\frac{3}{4}$	<b>B080-06HC</b>
195	411	237		0.20	828	13800	12.5	G1	<b>B095-08HC</b>



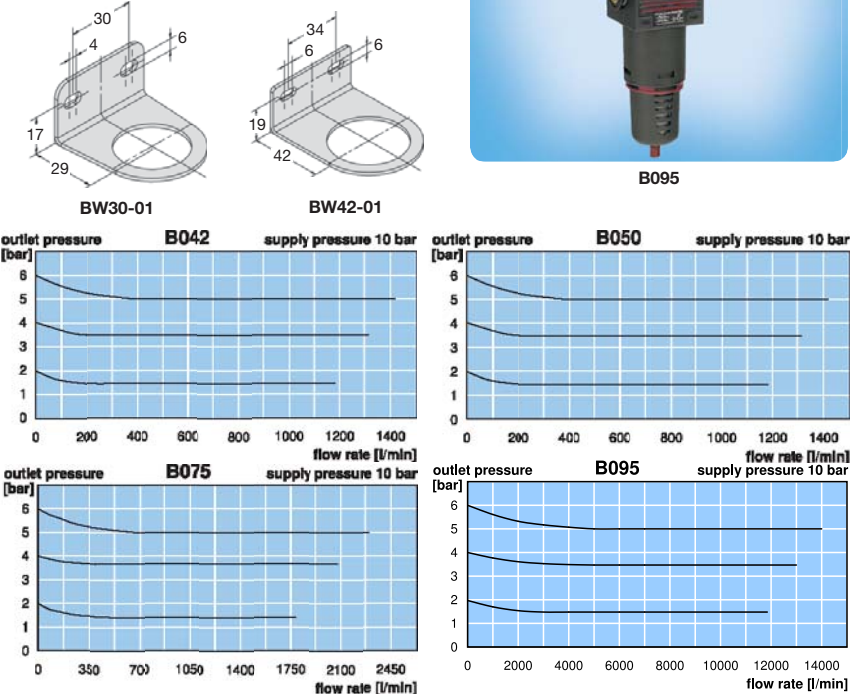
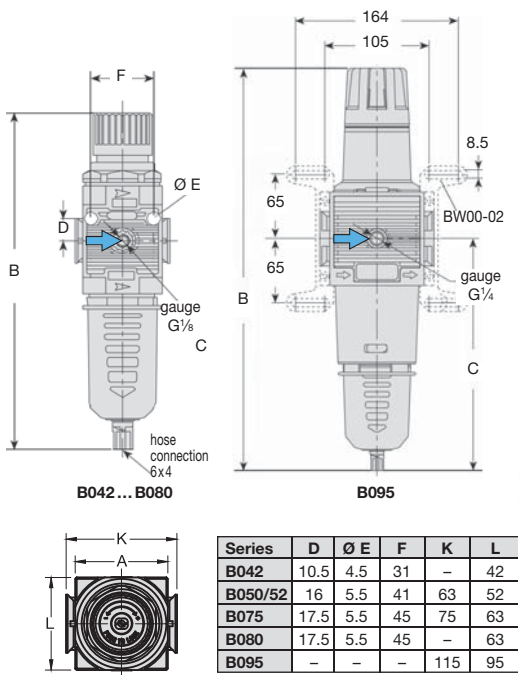
Special options, add the appropriate letter		
5 $\mu$ m filter element		for B042 to B080 for B095
non-relieving	without relieving function	for all
0... 4 bar pressure range		for B042 to B080 for B095
0...12 bar pressure range		for B042 to B080 for B095
automatic drain		for B042 to B080 for B095



Accessories		
pressure gauge	$\varnothing$ 40 mm, 0...*2 bar, G $\frac{1}{8}$ $\varnothing$ 50 mm, 0...*2 bar, G $\frac{1}{8}$ $\varnothing$ 63 mm, 0...*2 bar, G $\frac{1}{4}$	for B042 for B050 to B080 for B095
mounting bracket	made of steel, mounting nut at the device	for B042 for B050 to B080 for B095



Filter regulator  
17



\*1 at 10 bar supply pressure, 6 bar outlet pressure and 1 bar pressure drop      \*2 04 = 0...4 bar, 10 = 0...10 bar, 16 = 0...16 bar

Extensions: see chapter for FRL service units  
 Gauges: see chapter for measuring devices  
 Spare parts: see separate spare parts list

PDF CAD  
www.aircom.net

Order example:  
**B042-02HC**